

CCC AC150TC58CT "T" Version

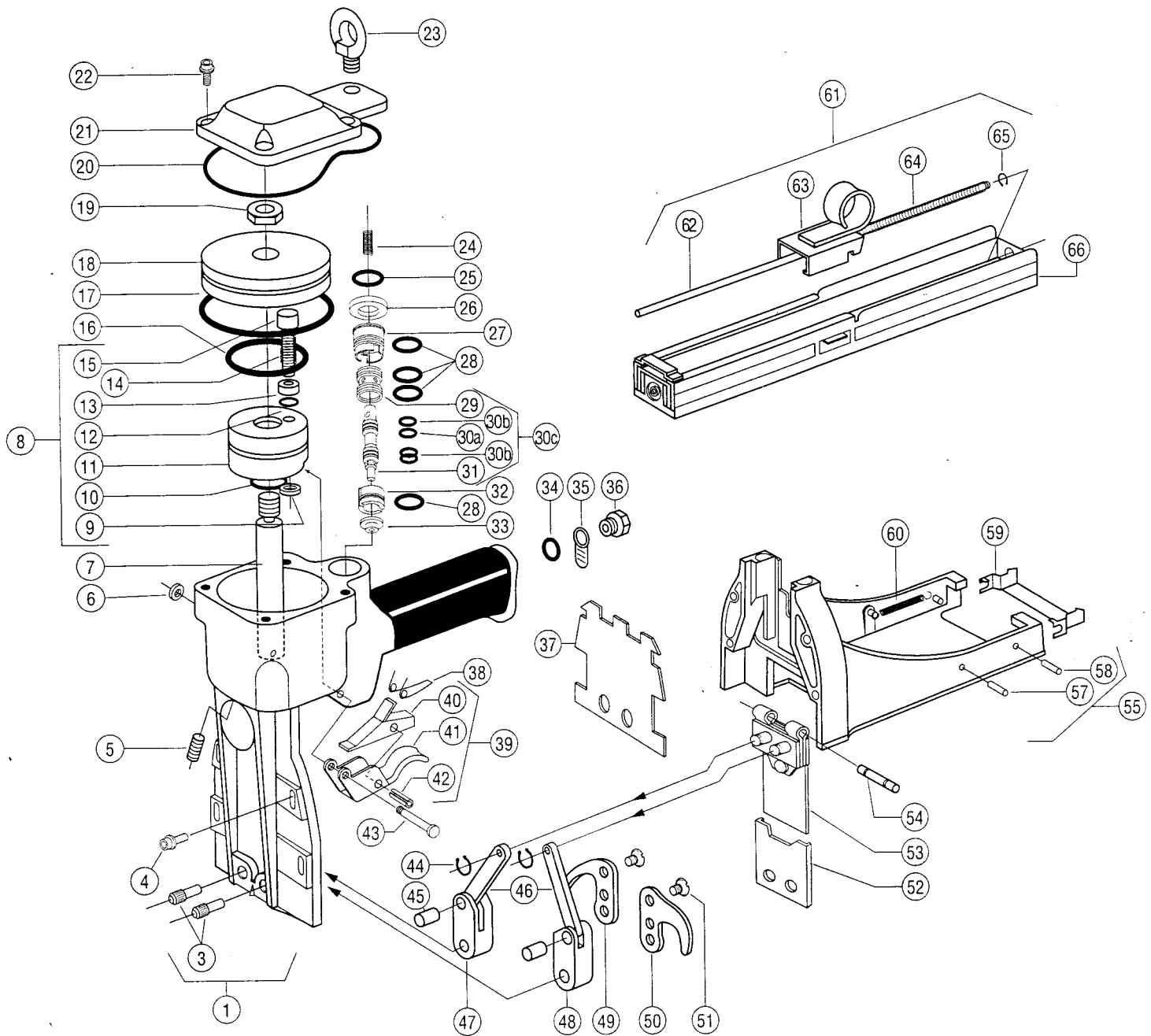
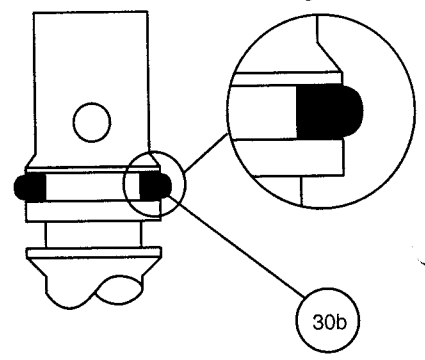


Fig. 1

Installation Note: When installing three "D" seals (30b) on trigger valve stem, insure seals are seated properly and not twisted (see figure 1 for proper installation).



Pneumatic Strip Parts Breakdown

Panne de l'outil pneumatique

Lista de las Herramientas Neumáticas

| Ref. No. | Product Code No. | Description | Quantity | Ref. No. | Product Code No. | Description | Quantity |
|----------|------------------|---------------------------------|----------|----------|------------------|-------------------------------|----------|
| 1 | 35144220 | Assy/Chassis 1-3/8 Pneu A | 1 | 37 | 35111157 | Plate/Chassis Wear | 1 |
| | 35144230 | Assy/Chassis 1-1/4 Pneu C | 1 | 38 | 35180181 | Spring/Trigger | 1 |
| 3 | 35180281 | Pin/Anvil Pivot Lg | 2 | 39 | 35144400 | Assy/Trigger | 1 |
| 4 | 35188611 | Scr/Sochd Sem 10-32 x 3/4 | 4 | 40 | 35144430 | Cam/Trigger | 1 |
| 5 | 33177004 | SS/Soc HDog 5/16-18 x 1 Loc | 1 | 41 | 35144420 | Trigger/Stamping | 1 |
| 6* | 37099950 | Gasket/Trigger Pin | 1 | 42 | 33934145 | Pin/Coil Spg 3mm x 14 Lg | 1 |
| 7 | 35121602 | Rod/Piston | 1 | 43 | 35144460 | Pin/Trigger | 1 |
| 8 | 35180850 | Assy/Guide Bushing Cycle-Thru | 1 | 44* | 33714107 | Ring/Ext Basic 250 Dia | 2 |
| | 35188610 | Assy/Guide Bushing Non-Cycle | 1 | 45* | 35281208 | Pin/Anvil Link | 2 |
| 9* | 34614001 | O-ring / 1.6mm x 2.2 mm x .3 mm | 1 | 46* | 35161103 | Link Anvil | 2 |
| 10* | 34611112 | O-ring / 1/2 x 11/16 x 3/32 | 1 | 47 | 35151110 | Holder/Anvil LH | 1 |
| 11 | 35180045 | Bushing/Guide | 1 | 48 | 35151100 | Holder/Anvil RH | 1 |
| 12* | 37090309 | O-ring 4mm x 1.5 mm 68D | 1 | 49 | 35182150 | Anvil 5/8 LH | 1 |
| 13 | 33211107 | Holder/O-ring | 1 | | 35183150 | Anvil 3/4 LH | |
| 14 | 35180420 | Spring/Cycle Through | 1 | | 35136150 | Anvil 7/8 LH | |
| 15 | 35180081 | Pin/Cycle Through | 1 | 50 | 35182140 | Anvil 5/8 RH | 1 |
| 16* | 37091058 | O-ring / 34.59mm x 2.62mm 68D | 1 | | 35183140 | Anvil 3/4 RH | |
| 17* | 34611328 | O-ring / 1-7/8 x 2-1/4 x 3/16 | 1 | | 35136140 | Anvil 7/8 RH | |
| 18 | 35144180 | Piston | 1 | 51* | 35101279 | Screw/Anvil 10-32 x 7/16 | 2 |
| 19 | 33464235 | Nut/Ctrik Hex Jam 3/8-16 | 1 | 52 | 35144360 | Guide/Staple 1-3/8 Stk A | 1 |
| 20* | 34611040 | O-ring / 2-7/8 x 3 x 1/16 | 1 | | 35144370 | Guide/Staple 1-1/4 Stk C | |
| 21 | 35144150 | Assy/Cap & Stud | 1 | 53 | 35144300 | Blade/Drive 1-3/8 Pneu Stk A | 1 |
| 22 | 35188611 | Scr/Sochd Sem 10-32 x 3/4 | 4 | | 35144310 | Blade/Drive 1-1/4 Pneu Stk C | |
| 23 | 33851301 | Eyebolt 9/16 x 1/4-20 | 1 | 54* | 33361411 | Pin/Hvy Coil Spg 1/8 x 1/2 Ct | 1 |
| 24 | 35180420 | Spring/Valve Return | 1 | 55 | 35143160 | Assy/Support & Pin | 1 |
| 25* | 34611208 | O-ring / 5/8 x 7/8 x 1/8 | 1 | 57 | 33341614 | Pin/Grv Type 67 1/8 x 1/2 | 2 |
| 26 | 35144440 | Guide/Trigger Valve Upper | 1 | 58 | 35101402 | Pin/Magazine Catch | 2 |
| 27 | 35144140 | Liner/Valve Upper | 1 | 59 | 35102212 | Catch/Magazine | 1 |
| 28* | 34611017 | O-ring / 11/16 x 13/16 x 1/16 | 4 | 60 | 35101403 | Spring/Mag Catch | 2 |
| 29 | 35144130 | Liner/Valve Center | 1 | 61 | 35143400 | Assy/Magazine Complete | 1 |
| 30a* | 34612109 | O-ring 90 D | 1 | 62 | 35143460 | Rod/Pusher | 1 |
| 30b* | 34651010 | D Seal/Valve Stem | 3 | 63 | 35143210 | Pusher | 1 |
| 30c* | 35144190 | Assy/Valve Stem Upgrade | 1 | 64 | 35195080 | Spring/Pusher | 1 |
| 31 | 35144110 | Stem/Valve | 1 | 65* | 33950009 | Ring/E Ext 6mm | 1 |
| 32 | 35144120 | Liner/Valve Lower | 1 | 66 | 35143410 | Magazine Weldment | 1 |
| 33 | 35180400 | Guide/Trigger Valve Lower | 1 | | | | |
| 34* | 37091016 | O-ring / 13.94mm x 2.62 mm 68D | 1 | | | | |
| 35 | 35180481 | Deflector Pneu Exhaust | 1 | | 35140105 | Kit/Air Portable Spare | |
| 36 | 35180840 | Inlet Nozzle | 1 | | | | |

*Indicates parts contained in parts kit