

KEY	UNIQUE #	QTY	PART NO.	DESCRIPTION	Replace with Paslode part#	KEY	UNIQUE #	QTY	PART NO.	DESCRIPTION	Replace with Paslode part#
1	1015017	4	SM-103-1	S.H.C.S., 1/4-20 X 1-1/4" (SM7648)	091362	46	413922	4	ISN-105-2	LOCK NUT #10-32	092037
	1015021	4	SM-203-12	S.H.C.C., 1/4-20 X 2" (SM7664)	404299	47	1015111	1	SM-138-1	RAIL BRACKET (SM7648)	402741
3	501484	1	SM-120-6	AIR DEFLECTOR			1015112	1	SM-238-1	RAIL BRACKET (SM7664)	402781
4	1015018	1	SM-103-2	S.H.C.S., 6-32 X 1/2"	006310	48	1014161	3	NCW-103-3	S.H.C.S. #10-32 X 3/8"	004224
6	1015004	1	SM-120-1	CAP (SM7648)		49	1015012	1	SM-100-2	O-RING 027-70N	092773
	1015020	1	SM-220-1	CAP (SM7664)		50	1015005	1	SM-120-2	LOWER PISTON, MAIN VALVE	404056
7	1015016	1	SM-102-1	SPRING, CONICAL	402717	51	1015071	2	SM-103-5	S.H.C.S. #10-32 X 5/16"	403716
8	1015019	1	SM-104-1	RETAINING RING	404230	52	1015072	2	SM-106-2	WASHER, HARDENED #10	402629
9	1015015	1	SM-100-5	O-RING 135-70N	091537	53	1015063	1	SM-133-1	W.C.E., INTERMEDIATE	402794
10	1015008	1	SM-220-5	UPPER PISTON, MAIN VALVE	404122	54	1015074	1	SM-102-2	SPRING	402738
11	1015006	1	SM-120-3	POST, MAIN VALVE	404055	55	1015073	1	SM-106-3	WASHER, FLAT #10	402736
12	1015014	1	SM-100-4	O-RING 122-70N	404256	56	1015067	1	SM-133-3	W.C.E. (SM7648)	402793
13	1015026	1	SM-100-6	O-RING 219-70N	402723		1015070	1	SM-233-3	W.C.E. (SM7664)	403207
14	1015473	1	SM-115-3	PISTON	403563	57	1015064	1	SM-133-2	W.C.E., UPPER ASSEMBLY	402792
15	1015027	1	SM-105-1	TOP LOCK NUT, 5/16" - 24	403582	58	1015075	1	SM-102-3	SPRING	402734
16	1015025	1	SM-115-2	DRIVER BLADE (SM7648)		59	1015057	1	SM-141-1	NOSE, FRONT GUIDE (SM7648)	403851
	1015028	1	SM-215-2	DRIVER BLADE (SM7664)			1015068	1	SM-241-1	NOSE, FRONT GUIDE (SM7664)	403458
17	1015035	1	SM-111-2	SEAL, SLEEVE		60	1015090	2	SM-103-6	S.H.C.S. #8-32 X 13/16"	404232
18	1015034	1	SM-111-1	SLEEVE (SM7648)	405245	61	1015060	2	SM-101-4	ROLL PIN ASSEMBLY	404698
	1015040	1	SM-211-1	SLEEVE (SM7664)	405246	62	1015059	1	SM-132-1	NOSE, BACK PLATE (SM7648)	403852
19	1015047	1	SM-100-7	O-RING 138-70N	402728		501401	1	SM-332-1	NOSE, BACK PLATE (SM7664)	
20	1015049	1	SM-100-9	O-RING 031-70N	402729	63	1015058	1	SM-101-8	PIVOT PIN, FRONT GUIDE	402730
21	1015037	1	SM-110-4	BUMPER RETAINER	403854	64	1015078	1	SM-101-5	ROLL PIN 5/32" X 1-3/8"	092176
22	1015038	1	SM-110-5	BUMPER	403853	65	1015077	1	SM-102-4	SPRING, LATCH (SM7648)	405078
23	1015039	1	SM-115-3	SEAL, DRIVER BLADE	402509		1015081	1	SM-202-4	SPRING, LATCH (SM7664)	405079
24	1015010	1	SM-120-8	CAP GASKET	402707	66	1015076	1	SM-142-1	LATCH, FRONT GUIDE (SM7648)	402789
25	1015031	1	SM-110-1	HOUSING			1015080	1	SM-242-1	LATCH, FRONT GUIDE (SM7664)	403206
26	1015051	2	SM-108-1	LOGO LABEL		67	1015086	1	SM-108-2	WARNING LABEL	500459
27	1015052	1	SM-108-2	MODEL LABEL (SM7648)		68	1015101	1	SM-136	PIVOTING COVER ASSY. (SM7648)	402748
	1015053	1	SM-208-2	MODEL LABEL (SM7664)			1015103	1	SM-236	PIVOTING COVER ASSY. (SM7664)	402280
28	1015056	1	SM-110-6	GASKET, NOSE FLANGE	402708	69	1015091	1	SM-131	RAIL & COVER ASSY. (SM7648)	403508
29	1015055	1	SM-140-2	NOSE FLANGE	402706		501402	1	SM-331	RAIL & COVER ASSY. (SM7664)	
30	1015079	4	SM-103-3	S.H.C.S. 1/4-20 X 7/8"	091545	71	1015100	2	SM-101-6	ROLL PIN 3/32" X 7/16"	402740
31	1015041	1	SM-112-1	TRIGGER	405144	72	1015087	1	SM-142-2	LATCH BUTTON, FOLLOWER	402798
32	1015042	1	SM-101-2	PIN, TRIGGER	402079	73	1015089	1	SM-102-5	SPRING, LATCH BUTTON	402799
33	1013730	1	NSP-106-2	RETAINING WASHER	402668	74	1015088	1	SM-109-1	RETAINING BUSHING	402797
34	1015007	1	SM-120-4	SEAL, MAIN VALVE	404054	75	1015134	1	SM-103-9	SLOTTED P.H.M.S. #6-32 X 3/16"	091568
35	1015013	1	SM-100-3	O-RING 117-70N	090927	76	1015105	1	SM-135-5	NEGATOR SPRING	091532
36	1015011	1	SM-100-1	O-RING 026-70N	092775	77	1015106	1	SM-135-6	DRUM, NEGATOR	091534
37	1015050	2	SM-101-3	ROLL PIN 1/8" X 1"	026133	78	1015107	1	SM-101-7	PIN, NEGATOR DRUM	402743
38	1013723	1	NSP-119-2	VALVE BODY	401958	79	1015104	1	SM-135-1	FOLLOWER	402516
39	391615	1	OR-013-70N	O-RING	092174	80	390450	1	AA-62	STOP NUT #8-32	404325
40	1013722	1	NSP-119-1	VALVE PIN	097746	83	1015044	1	SM-112-2	LEVER, TRIGGER	405147
41	1013721	1	NSP-102-3	SPING, VALVE PIN	097748	84	1015045	1	SM-101-1	ROLL PIN 1/8" X 11/16"	005849
42	1015048	1	SM-100-8	O-RING 222-70N	091591	86	1015036	1	SM-111-3	FLANGE, SLEEVE	405243
43	1015032	1	SM-110-3	END PLUG		87	1015033	1	SM-110-2	GRIP, HANDLE	500488
44	419903	1	MS-110-11	REDUCING PIPE BUSHING	091622	88	1015046	1	SM-100-10	O-RING 134-70N	091966
45	1015110	2	SM-103-4	S.H.C.S. #10-32 X 5/8"	004502	89	1015046	1	SM-108-2	LABEL	

→ DENOTES CHANGE

SM-TOOLS
05/08 (8)

DUO-FAST

7/16" Crown Pneumatic Staplers SM-7648 SM-7664

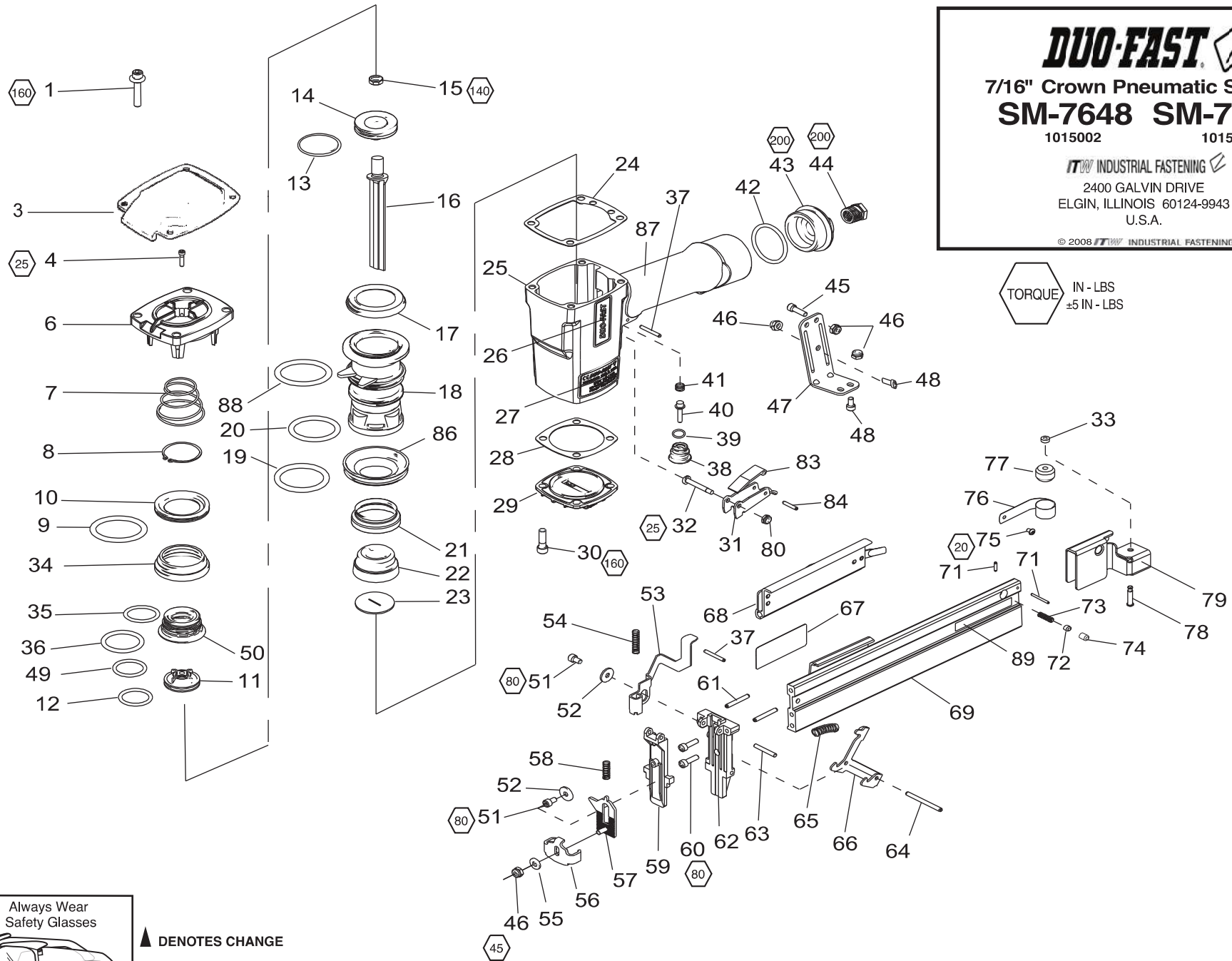
1015002

1015003

ITW INDUSTRIAL FASTENING

2400 GALVIN DRIVE
ELGIN, ILLINOIS 60124-9943
U.S.A.

© 2008 ITW INDUSTRIAL FASTENING



TORQUE IN - LBS
±5 IN - LBS

Always Wear
Safety Glasses



When Using
Power Tools
402510 CLEAR

▲ DENOTES CHANGE

TOOLS MUST BE REPAIRED ONLY
WITH FACTORY AUTHORIZED PARTS
SIEMPRE REPRE LAS HERRAMIENTAS
SOLAMENTE CON PARTES DE REPUESTO
AUTORIZADAS POR DUO-FAST

SM-7648 SM-7664