



PROFESSIONAL FASTENING  
— SINCE 1929 —

# HTX50™

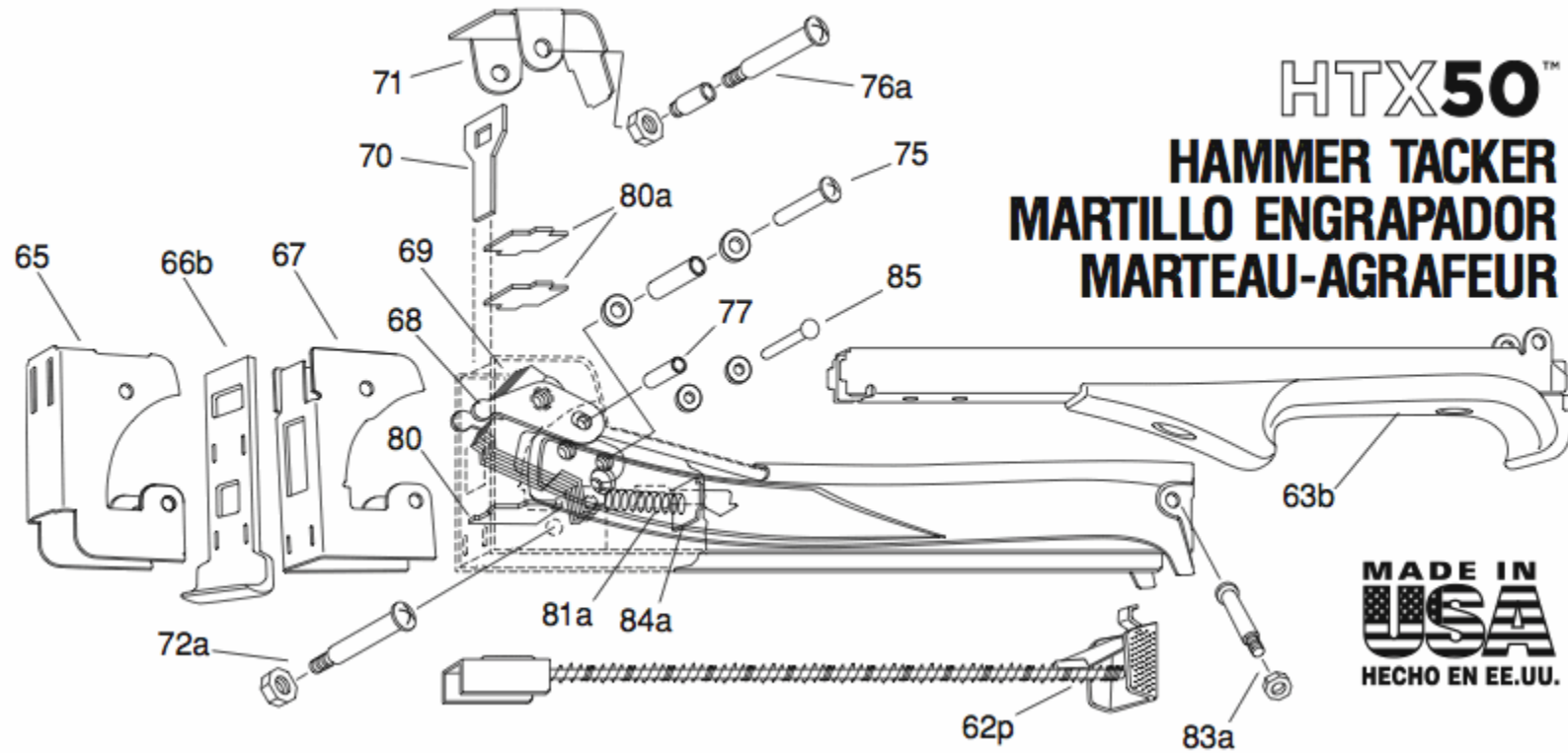
PROFESSIONAL HAMMER TACKER

# HTX50™

## HAMMER TACKER

## MARTILLO ENGRAPADOR

## MARTEAU-AGRAFEUR



MADE IN  
**USA**  
HECHO EN EE.UU.

PART #	DESCRIPTION
62P	PUSHER ROD ASSEMBLY
63b	HTX50 HANDLE ASSEMBLY
65	FRONT COVER
66b	HTX50 DRIVER
67	COVER
68	STRIKE ASSEMBLY
69	ASSEMBLY
70	DRIVER BLADE
71	TOP COVER
72a	SCREW & WASHER
75	SCREW WASHER & BUSHING
76a	SCREW & NUT
77	BUSHING
80	BUMPER
80a	UPPER SPACER
81a	SPRING
83a	SCREW & NUT
84a	BUMPER
85	SCREW & NUT