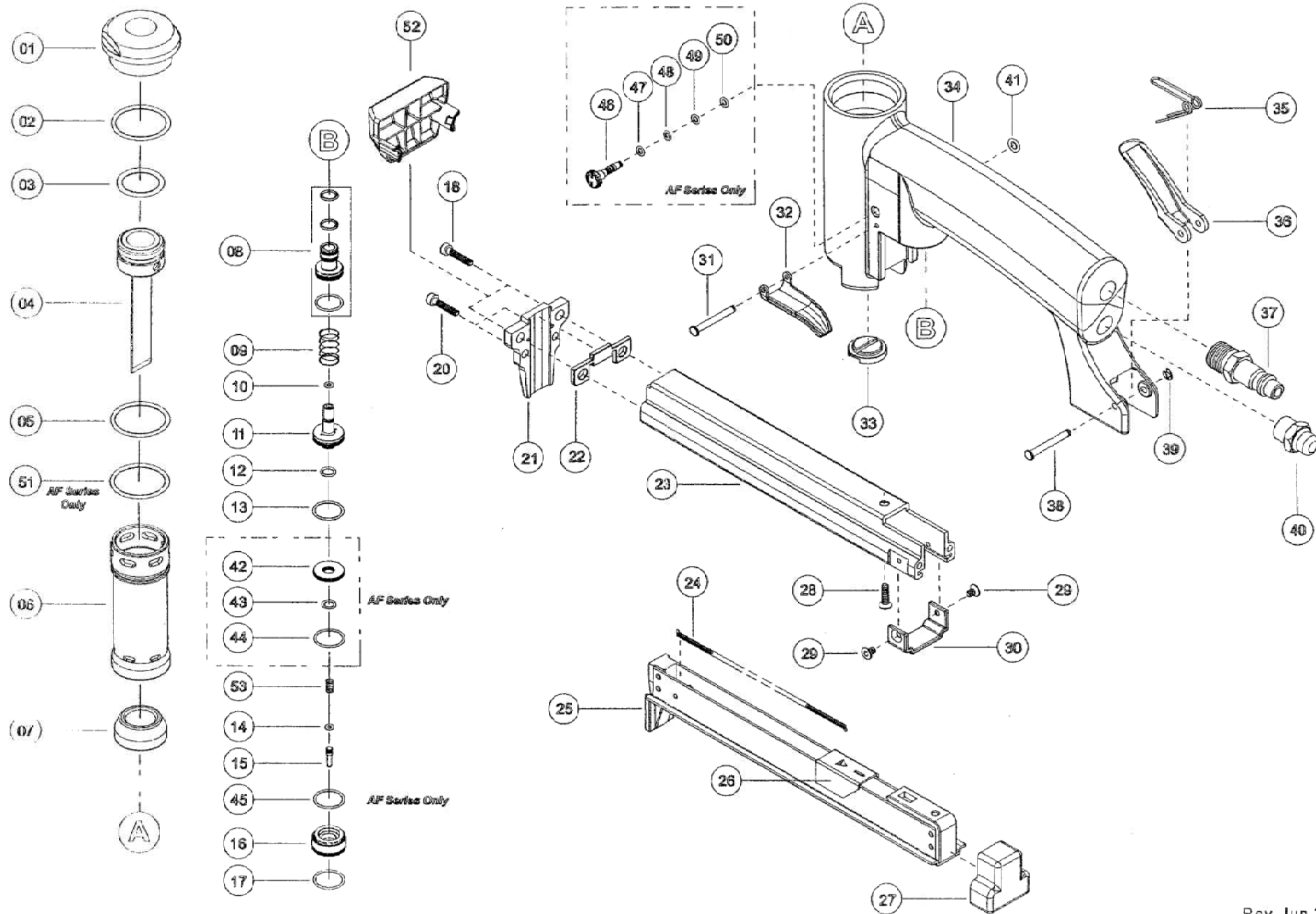


EXPLODED DIAGRAM: 5016 / 5016A, 7116 / 7116A, 8016 / 8016A 1013J/1013JA, 1013F/1013FA, A1116/A1116A



PARTS LIST MODEL 5016/5016A , 7116/7116A , 8016/8016A , 1013J/1013JA & 1013F/1013FA, A1116/A1116A

No.	Part NO.	Name
1	18010	Hammer Cap Hammer
2	90000	O-Ring
3	90001	O-Ring
4	15020	Piston Ram Assembly (5016 & 5016A)
	17020	Piston Ram Assembly (7116 & 7116A)
	18020	Piston Ram Assembly (8016 & 8016A)
	13020	Piston Ram Assembly (1013J & 1013JA)
	14020	Piston Ram Assembly (1013F & 1013FA)
	11020	Piston Ram Assembly (A1116 & A1116A)
5	90000	O-Ring
6	18030	Cylinder
	18040	Cylinder (Auto Series)
7	18050	Bumper
8	18060-1	Trigger Valve Set
9	18070	Trigger Valve Spring
10	90004	O-Ring
11	18080	Trigger Valve
	18090	Trigger Valve (Auto Series)
12	90005	O-Ring (Trigger Valve)
	90006	O-Ring (Trigger Valve/Auto)
13	90007	O-Ring (Trigger Valve)
	90008	O-Ring (Trigger Valve/Auto)
14	90009	O-Ring
15	18100	Trigger Valve Stem
	18110	Trigger Valve Stem (Auto Series)
16	18120	Trigger Valve Guide
	18130	Trigger Valve Guide (Auto Series)
17	90007	O-Ring
18	91000-1	Hex.HD Soc Screw + Spring Washer
20	91001	Hex.HD Soc Screw
21	15140	Nose (5016 & 5016A)
	17140	Nose (7116 & 7116A)
	18140	Nose (8016 & 8016A)
	13140	Nose (1013J & 1013JA)
	14140	Nose (1013F & 1013FA)
	11140	Nose (A1116 & A1116A)
22	18150	Nose Plate(7116 & 7116A & 8016 & 8016A)
	15150	Nose Plate(5016 & 5016A & A1116 & A1116A)
	13150	Nose Plate(1013F & 1013FA & 1013J & 1013JF)
23	15160	Magazine Cover (5016 & 5016A)
	17160	Magazine Cover (7116 & 7116A)
	18160	Magazine Cover (8016 & 8016A)
	13160	Magazine Cover (1013J & 1013JA)
	14160	Magazine Cover (1013F & 1013FA)
	11160	Magazine Cover (A1116 & A1116A)

No.	Part NO.	Name
24	18170	Pusher Spring
25	15180	Magazine (5016 & 5016A)
	17180	Magazine (7116 & 7116A)
	18180	Magazine (8016 & 8016A)
	13180	Magazine (1013J & 1013JA)
	14180	Magazine (1013F & 1013FA)
	11180	Magazine (A1116 & A1116A)
26	15190	Pusher (5016 & 5016A)
	17190	Pusher (7116 & 7116A)
	18190	Pusher (8016 & 8016A)
	13190	Pusher (1013J & 1013JA)
	14190	Pusher (1013F & 1013FA)
	11190	Pusher (A1116 & A1116A)
27	18200	Rear Magazine Bumper
28	93001	Hex. Soc. FT HD Screw
29	93003	Hex. Soc. FT HD Screw
30	18210	Magazine Retainer
31	18220	Pin
32	18230	Trigger
33	18240	Seal
34	18250	Gun Body
	18260	Gun Body (Auto Series)
35	18270	Magazine Latch Spring
36	18280	Magazine Latch
37	94001	Air Plug
38	18290	Pin
39	95001	E-Ring
40	18300	Air Silencer
41	90010	O-Ring
42	18310	Trigger Valve plate (Auto Series Only)
43	90005	O-Ring Trigger (Auto Series Only)
44	90033	O-Ring Trigger (Auto Series Only)
45	90033	O-Ring Trigger (Auto Series Only)
46	18320	Automatic Adjust Knob (Auto Series Only)
47	90012	O-Ring (Auto Series Only)
48	90013	O-Ring (Auto Series Only)
49	90013	O-Ring (Auto Series Only)
50	90014	O-Ring (Auto Series Only)
51	90015	O-Ring (Auto Series Only)
52	18330	Nose Cover
53	22380	Valve Seat Spring

Rev.2008/06