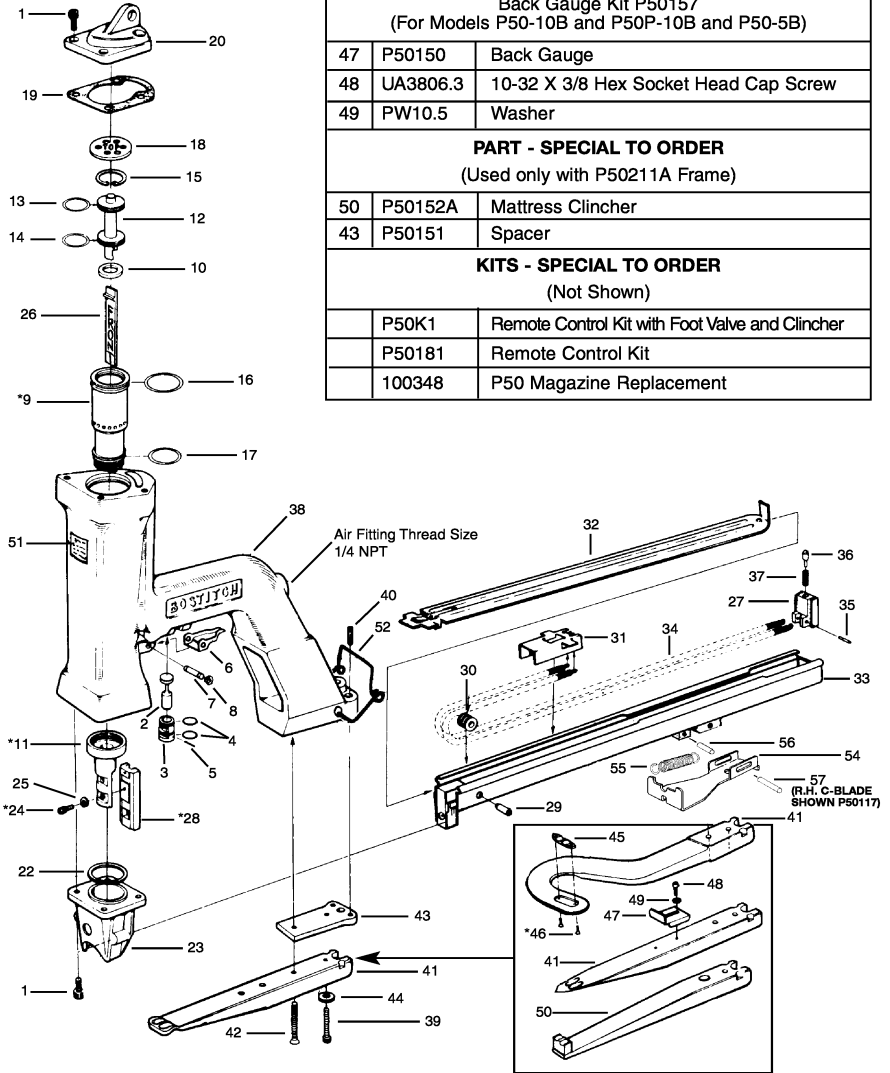


CAUTION: Items 12 and 26 must be assembled in direction shown. Retaining tooth on driver, and longest side of piston, must face front of tool. Do not rotate these parts.



PARTS SPECIAL TO "C" BLADE MODELS

| | | |
|----|----------|---------------------------------------|
| 45 | P50137 | Clincher |
| 46 | UA1804.7 | 4-40 X 1/4 Hex Socket Flat Head Screw |

KITS - SPECIAL TO ORDER

Back Gauge Kit P50157
(For Models P50-10B and P50P-10B and P50-5B)

| | | |
|----|----------|---------------------------------------|
| 47 | P50150 | Back Gauge |
| 48 | UA3806.3 | 10-32 X 3/8 Hex Socket Head Cap Screw |
| 49 | PW10.5 | Washer |

PART - SPECIAL TO ORDER

(Used only with P50211A Frame)

| | | |
|----|---------|-------------------|
| 50 | P50152A | Mattress Clincher |
| 43 | P50151 | Spacer |

KITS - SPECIAL TO ORDER

(Not Shown)

| | | |
|--|--------|---|
| | P50K1 | Remote Control Kit with Foot Valve and Clincher |
| | P50181 | Remote Control Kit |
| | 100348 | P50 Magazine Replacement |

Air Fitting Thread Size
1/4 NPT

57 (R.H. C-BLADE SHOWN P50117)

* IMPORTANT: SEE SPECIAL MAINTENANCE INSTRUCTIONS, PAGE 6
• NOTE: FOR SB1030203/8 STAPLES USE P50191 SHUTTLE

| ITEM NO. | PART NO. | DESCRIPTION |
|----------|----------|---------------------------------------|
| 1 | UA3808.1 | 10-32 X 1/2 Hex Socket Head Cap Screw |
| 2 | P50115A | Stem |
| 3 | P50114 | Barrel |
| 4 | 86458 | O-Ring |
| 5 | UB2112.2 | Roll Pin 3/32 Diameter X 3/4 |
| 6 | P50119 | Trigger |
| 7 | P50129 | Pin |
| 8 | 85018 | E-Ring |
| 9 | P50196 | Shuttle Piston |
| 10 | P50108 | Driver Piston Bumper |
| 11 | P50104 | Sleeve |
| 12 | P50118 | Driver Piston |
| 13 | 87112 | O-Ring |
| 14 | 87137 | O-Ring |
| 15 | 87115 | Internal Snap Ring |
| 16 | 87113 | O-Ring |
| 17 | 850682 | O-Ring |
| 18 | P50106 | Piston Head Bumper |
| 19 | P50120 | Gasket |
| 20 | P50102 | Cap |
| 22 | P50107 | Shuttle Piston Bumper |
| 23 | P50105 | Guide |
| 24 | UA3804.6 | 10-32 X 1/4 Hex Socket Head Cap Screw |
| 25 | SW10E | #10 Lock Washer |
| 27 | P50167 | Lock Pin Block |
| 29 | P50169 | Spring Roll Pin |
| 30 | P50168 | Spring Roll |
| 31 | P50172 | Pusher |
| 32 | P50171A | Top Guide Assembly |
| 34 | P50177 | Feed Spring |
| 35 | P50175 | Feed Spring Pin |
| 36 | P50173 | Lock Pin |
| 37 | P50174 | Lock Pin Spring |
| 51 | 851246 | Warning Label |
| 52 | P50197 | Spring, Magazine |
| 53 | P50210 | Label, Caution-P50 |
| 54 | P50217 | Magazine Clamp |
| 55 | P50218 | Spring |
| 56 | UB2808.1 | Spring Pin 3/16 X 1/2 long |
| 57 | UB2112.2 | Spring Pin 3/16 X 3/4 long |

VARIABLE PARTS

| MODEL NUMBER | ITEM NUMBER AND DESCRIPTION | | | | | | | | | |
|-----------------------------------|-----------------------------|------------------------|--------------------|-------------------------|---------------------------|----------------------------|-----------------------------|---------------------------|------------------|----------------|
| | 26 | 28 | 33† | 38 | 39 | 40 | 41 | 42 | 43 | 44 |
| | DRIVER | SHUTTLE | CORE CASE ASSEMBLY | FRAME | SOC. CAP SCREW | SET SCREW | CLINCHER | FLT. HD. SCREW | SPACER | WASHER |
| P50-10B P50CL-10B P50CR-10B | P50121 " " | * P50186 • " • " | P50213A " " | P50211A P50212A " | UA4824.2 UA4812.1 " | UA4816.12 UA4808.4 " | P50116A P50138 P50117 | UA5824.5 UA5816.7 " | P50151 - - | LW14 - - |
| P50-5B | P50187 | * P50188 | P50215A | P50211A | UA4824.2 | UA4816.12 | P50116A | UA5824.5 | P50151 | LW14 |
| P50-5C | P50187 | 103507 | 104137 | P50211A | UA4824.2 | UA4816.12 | P50116A | UA5824.5 | P50151 | LW14 |
| P50-10C | P50121 | P50191 | P50214A | P50211A | UA4824.2 | UA4816.12 | P50116A | UA5824.5 | P50151 | LW14 |

*NOTE: FOR SB50193/8 STAPLES USE 103507 SHUTTLE

•NOTE: FOR SB1030203/8 STAPLES USE P50191 SHUTTLE

†NOTE: ITEM 33 CORE CASE ASSEMBLY DOES NOT INCLUDE ITEMS 27, 29-32, 34-37 OR 54-57.

P50

AIR DRIVE PLIER



OPERATION and MAINTENANCE MANUAL

⚠WARNING:

BEFORE OPERATING THIS TOOL, ALL OPERATORS SHOULD STUDY THIS MANUAL, TO UNDERSTAND AND FOLLOW THE SAFETY WARNINGS AND INSTRUCTIONS. KEEP THESE INSTRUCTIONS WITH THE TOOL FOR FUTURE REFERENCE. IF YOU HAVE ANY QUESTIONS, CONTACT YOUR STANLEY-BOSTITCH REPRESENTATIVE OR DISTRIBUTOR.