

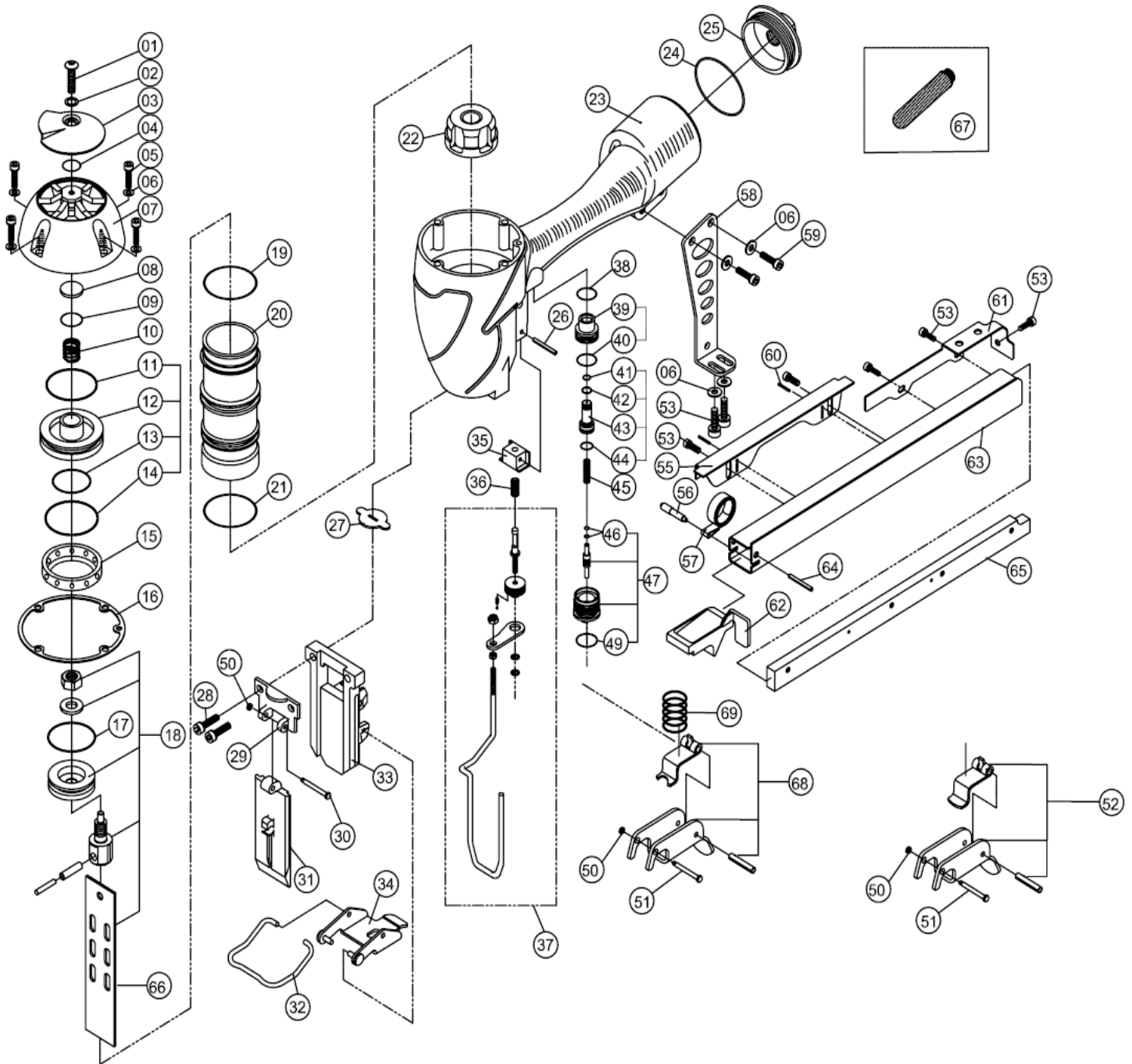
# MODEL XC1016

THIS TOOL EQUIPPED WITH  
A RESTRICTIVE TRIGGER

# SPOTNAILS®

DIVISION OF PEACE INDUSTRIES, LTD.

1100 Hicks Rd  
Rolling Meadows, IL 60008  
Phone : 847-259-1620  
www.spotnails.com



4/19/2012

## SPOTNAILS MODEL XC1016

Ref No.	Part No.	Description
1	P-24370	Screw
2	P-96118	Bushing
3	P-70041	Exhaust Deflector
4	P-64377	O-Ring
5	P-24300	Cap Screw
6	P-32211	Flat Washer
7	P-60172	Cap
8	P-15187	Exhaust Seal
9	P-64378	O-Ring
10	P-18327	Poppet Spring
11	P-64028	Poppet O-Ring
12	P-63037	Poppet
13	P-64379	Piston Stop O-Ring
14	P-64380	Cylinder Seal O-Ring
15	P-03079	Guide Spacer
16	P-62070	Gasket
17	P-64228	Piston O-Ring
18	AS-06039	Piston & Driver Assembly
19	P-64330	Cylinder O-Ring
20	P-05096	Cylinder
21	P-64419	O-Ring
22	P-15197	Bumper
23	P-01263	Body
24	P-64312	O-Ring
25	P-60156	End Cap
26	P-07262	Pin
27	P-15198	Return Seal
28	P-24358	Screw
29	P-10285	Stationary Front Plate
30	P-07357	Step Pin
31	P-10286	Removable Front Plate
32	P-18333	Latch Spring
33	P-08467	Wear Plate
34	P-04062	Quick Clear Latch

Ref No.	Part No.	Description
35	P-53165	Safety Guide
36	P-18328	Spring
37	AS-53049	Safety Assembly
38	P-64332	Valve Housing O-Ring
39	P-22144	Trigger Valve Cap
40	P-64333	O-Ring
41	P-64334	O-Ring
42	P-64335	O-Ring
43	P-22145	Pilot Valve
44	P-64336	O-Ring
45	P-18227	Spring
46	P-64383	Plunger O-Rings
47	AS-22037	Plunger Assembly
49	P-64328	O-Ring
50	P-64240	O-Ring
51	P-07327	Trigger Pin
52	AS-21008	Trigger Assembly
53	P-24302	Screw
55	P-12406	Magazine Cover (A)
56	P-07331	Negator Spring Pin
57	P-18334	Negator Spring
58	P-13070	Bracket
59	P-24301	Screw
60	P-07333	Pin
61	P-12407	Magazine Cover (B)
62	P-09185	Pusher
63	P-12409	Magazine
64	P-07332	Pin
65	P-12411	Cover Mounting Bar
66	P-06221	Driver Blade
67	P-97454	Filter (Optional)
68	AS-21026	Restrictive Trigger (Red)
69	P-18267	Spring

- Parts Included in AS-97282 O-Ring and Seal Kit