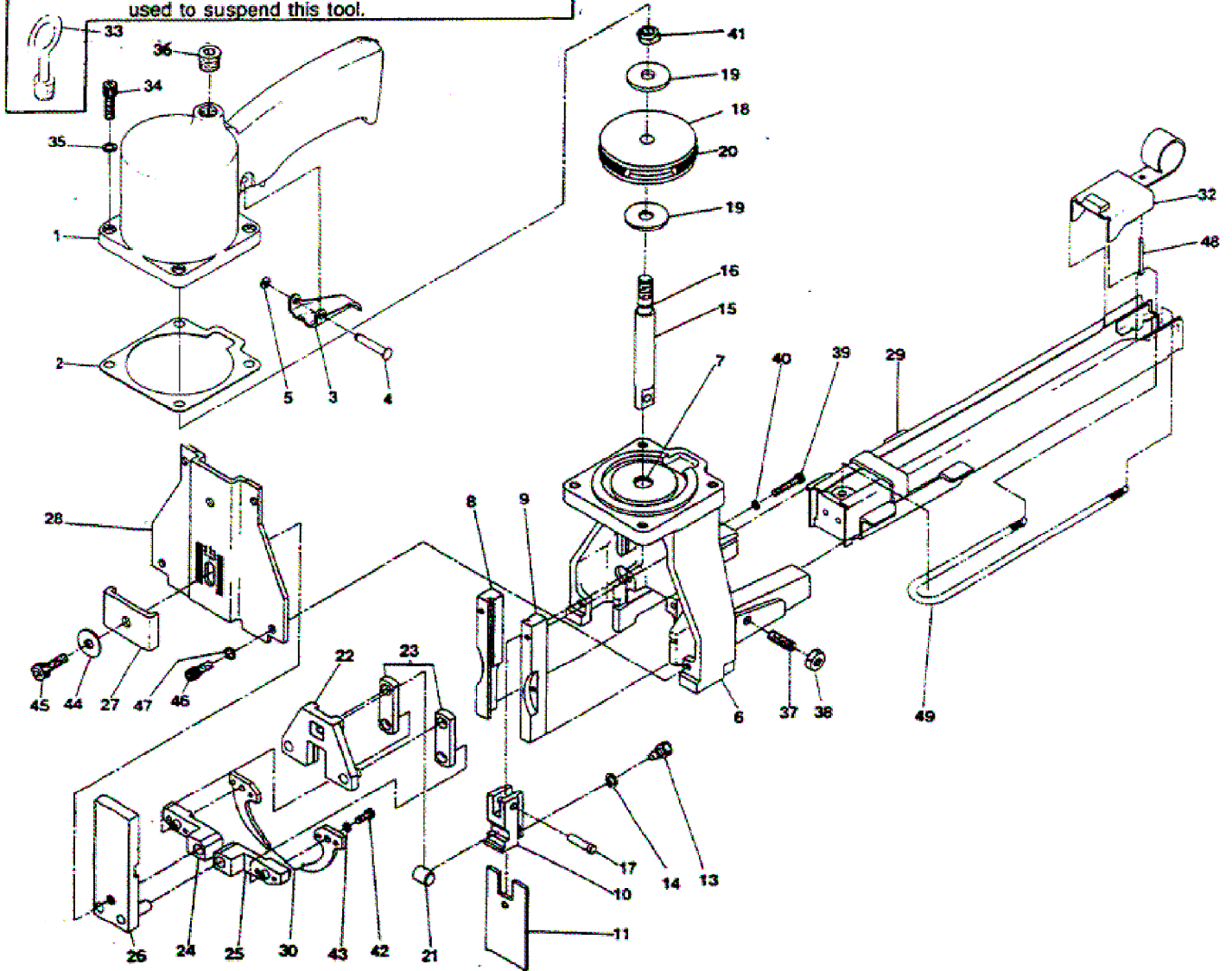


1. Apply LOCTITE 242 to screw thread before assembling hanger to tool.

2. Use a swivel type hook on the counterbalance used to suspend this tool.



Item#	Illus.#	Description
D16101A	0001	CYLINDER ASSEMBLY
D16243	0002	CYLINDER GASKET
T20111	0003	TRIGGER
T20018	0004	PIN,SPECIAL
T20049	0005	CLIP
D16163A	0006	FRAME ASSEMBLY
85014	0007	O-RING, .487X.103
D16168	0008	GUIDE
D16167	0009	GUIDE
D16179	0010	DRIVER BLOCK
D16170	0011	DRIVER
D16178	0011	DRIVER
UA4006.2	0013	SCREW,DRIVER RETAINING
D16327	0014	SPACER
D16180	0015	PISTON ROD
85012	0016	O-RING, .239X.070
D16185	0017	PIN,SPECIAL
D14227B	0018	PISTON
D16146	0019	PISTON WASHER
85016	0020	O-RING,2.225X.210
D16183	0021	ROLLER
D16184A	0022	PLATE ASSEMBLY
D14130	0023	LINK
D14132A	0024	LEVER ASSEMBLY
D14133A	0025	LEVER ASSEMBLY
D16111A	0026	PLATE ASSEMBLY
D16112	0027	DEPTH ADJ.PLATE
D16114	0028	FRONT PLATE
D16164A	0029	MAGAZINE ASSEMBLY
D16169A	0029	MAGAZINE ASSY.5/8 - 7/8
D16124	0030	CLINCHER
D16124B	0030	CLINCHER
D16149A	0032	PUSHER ASSEMBLY
D16106A	0033	C'BALANCE HANGER
UA4814.1	0034	SCREW,1/4-20 X 7/8 SHCS
LW14.2	0035	WASHER,1/4 HI COL LOCK
UA9607	0036	PLUG
UA4816.12	0037	SCREW,CONESSS,1/4-20X1
HN1420.2	0038	NUT,1/4-20 HEX JAM BLK
UA2810	0039	SCREW,SHCS,8-32X5/8
LW8	0040	WASHER,#8 LOCK
HN3824.4	0041	NUT,3/8-24 THIN NYL INS
UA2808.1	0042	SCREW,8-32 X 1/2 SHCS
LW8	0043	WASHER,#8 LOCK
PW516.4	0044	WASHER
UA5812.3	0045	SCREW,5/16-18 X 3/4 SHCS
UA3808.8	0046	SCREW,10-24 X 1/2 SHCS
LW10	0047	WASHER, HSLWM#10
UB2912.3	0048	PIN,3/32 X 3/4 COTTER
D14164	0049	SPRING,EXTENSION