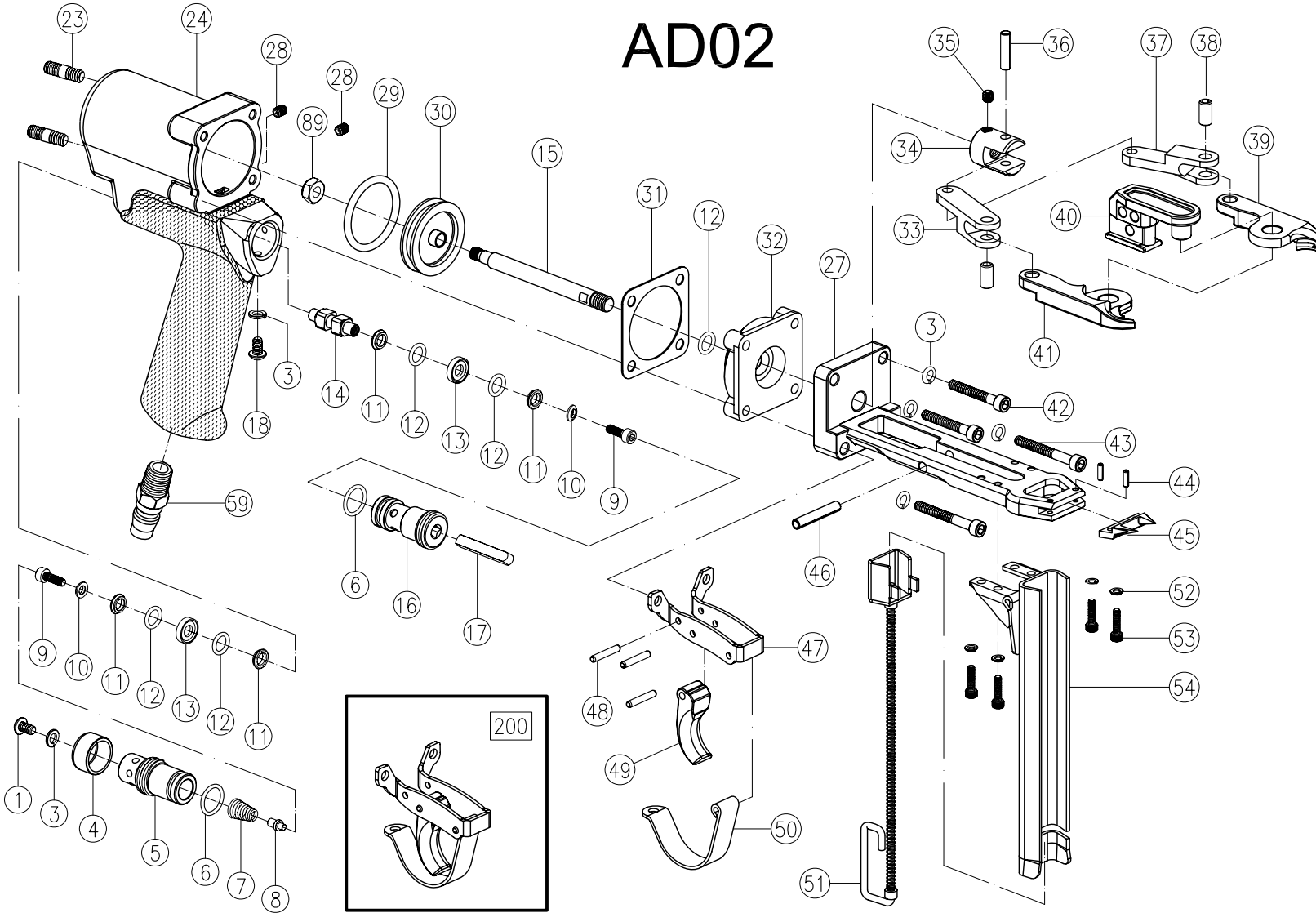


# AD02



## PARTS DETAILS

1. Set Screw
3. Shakeproof lock Washer
4. Air Deflector
5. Rear Valve Seat
6. O-Ring
7. Throttle Spring
8. Throttle Spring Locator
9. Throttle Valve Screw
10. Valve Screw Washer
11. O-Ring Support
12. O-Ring
13. O-Ring Center Support
14. Throttle Valve Spacer
15. Piston Rod
16. Front Valve Seat
17. Throttle Stem
18. Button Head Cap Screw
23. Stud
24. Cylinder Housing
27. Carriage Assembly
28. Set Screw
29. O-Ring
30. Piston
31. Cylinder Gasket
32. Piston Stop Spacer (Assy. Only)
33. Right Arm Link
34. Clevis
35. Set Screw
36. Roll Pin
37. Left Arm Link
38. Roll Pin
39. Left Jaw
40. Slide
41. Right Jaw
42. Socket Head Cap Screw
43. Socket Head Cap Screw
44. Roll Pin
45. Teeth (Straight)
46. Stop Pin
47. Trigger Guard Bracket
48. Roll Pin
49. Trigger
50. Trigger Guard
51. Pusher Assembly
52. Lock Washer
53. Socket Head Cap Screw
54. Magazine Assembly
59. Inlet Bushing
89. Flexloc Nut
200. Trigger Guard Bracket Assy.



ANN-CHAIN ENTERPRISE CO., LTD.  
NO.65-5, LANE 540, YOAN-FONG RD.,  
CHANG HUA CITY, TAIWAN, R.O.C.  
TEL: 886-4-7521297 FAX: 886-4-7521293

## PNEUMATIC HOG RING TOOL AD02



### OPERATING INSTRUCTIONS & PARTS LIST

For best operating results and long life, maintain the tool in good working order, do not drop the tool, keep the mechanism free from dirt and other foreign matter and do not operate the tool at air pressures above 100 P.S.I. (7.03kg/cm<sup>2</sup>). Although your clip ring tool is of high quality and made to exacting standards, failure to follow proper operational precautions may result in damage to your tool and shorten its useful life.

### OPERATION

The air powered clip ring tool should be held firmly in the hand and in most operations the tool is used 90 degrees to the work performed. It should be kept in mind that in using the air powered clip ring tool, this is like any other tool and should be properly maintained. One area of maintenance to be conscious of is when pushing the tool into foam, it should be cleaned occasionally. Also, when "grabbing" a group of wire, the tool is frequently used as a pusher puller and/or a variety of other things. The most important point to remember is to take a long, hard look at your work and choose the best way in which to do it. Obviously, the less the tool is abused, the better. The tool should be handled firmly in your hand and don't stretch too far when you use it in the direction of your application. Please also note that the tool should make a complete closure of the fastener. If for any reason you are not getting complete

closure, check to make sure that the application is correct and that the tool is cycling completely.

Obviously, moisture, dirt or any other foreign matter that is inside the tool will reduce its Operational efficiency. Please take care in handling, operation and maintenance of your tool for a long and useful work life.

### AIR PRESSURE

Air pressure should be maintained at 85 - 96 P.S.I (5.98-6.68 kg/cm<sup>2</sup>) using 1/4" (6.35mm) ID air hose. Higher pressures will not increase the operating speed of the tool and may cause damage to it.

### AIR FILTER AND REGULATOR

The air line should have an attached air line filter and regulator sufficient to provide a constant and even flow of clean, dry air. The filter should be installed as close as possible to the tool. Dirt or moisture in the air line will adversely affect the smooth operation of the tool and decrease its serviceable life.

### LUBRICATION

To insure long, trouble-free service, we recommend Air Line Lubricators and Filter Units for proper lubrication and clean, dry air. A good grade of oil that emulsifies in water is recommended for air tools.

### MANUAL OILING

Although the jaws and other moving parts of the tool do need to be oiled, periodic oiling in small amounts may increase the serviceable life of the tool that receives heavy use.

### HOG RINGS

These rings are available from ANN-CHAIN and will be shipped promptly from stock. PLEASE SEE HOG RING STYLES CHART for further details regarding materials, points and size of HOG RING.

### REPAIR AND SERVICE PARTS

If the tool is not operating properly, remove it from service at once and have it checked for proper operation. ANN-CHAIN will ship replacement parts for repairs. Parts price lists are available upon request. Use only parts that are specifically fabricated for the tool which you own.

## WARNINGS

- Do not point the tool at any person. Keep hands and clothing away from the front of Jaws of the tool and away from all moving parts. Injury may result. Failure to follow these precautions may result in serious injury.
- Always read tool manual before operating.
- Always wear safety glasses while operating or while in the vicinity of a tool in operation.
- For testing, always cycle tool away from work to insure proper ring closure. For safety reasons, an improperly functioning tool must not be used. When operating tool, never point or actuate tool other than into work.
- Operate tool in an unobstructed work area.
- Disconnect air supply prior to maintenance or repair of tool.
- Use clean dry air to maximize efficiency. Do not Exceed 100 P.S.I. (7.0 kg/cm<sup>2</sup>)
- Do not use bottled gases such as hydrogen, carbon dioxide, oxygen, etc.
- Tools shall be operated with a fitting or hose coupling on/or near the tool in such a manner that all compressed air in the tool is discharged at the time the fitting or hose coupling is disconnected.
  
- **OPERATION**
  - Always handle tool with care:
    - Never engage in horseplay.
    - Never pull the trigger unless nose of tool is directed toward the work.
    - Keep others at a safe distance from the tool while the tool is in operation as actuation occurs, possibly causing injury. Keep hands and body away from the jaw mechanism of the tool.
  
- **LOADING TOOL**
  - When loading tool :
    - Never place a hand or any part of body in jaw mechanism area of tool.
    - Never point tool at anyone.
    - Never actuate tool when loading, accidental injury may occur.