

**ACCESSORIES AVAILABLE  
ACCESORIOS DISPONIBLES  
ACCESSOIRES DISPONIBLES**

**Maintenance  
Mantenimiento  
Entretien**

BC601	4 oz. Bostitch Air -Tool Lubricant
BC602	1 pint Bostitch Air -Tool Lubricant
BC603	1 pint Bostitch "Winter-Formula" Air-Tool Lubricant
BC604	1 quart Bostitch Air -Tool Lubricant
851385	Loctite Grade 242 (.02 oz.)
174322	Wrench

**For deeper drive:**

**Para una colocación más profunda:**

**Pour une profondeur de fixation accrue :**

174323 Cap, Heavy

**Other special accessories:**

**Otros accesorios especiales:**

**Autres accessoires spéciaux :**

174267	Assembly, Skirt Gauge
174321	Nose, Wide
174300	Spring, Compression, Conical
174299	Trigger, Second
177685	Pin, Spring, 4x32 mm

# BOSTITCH®

## 21671B-ALM

**INDUSTRIAL FINE WIRE STAPLER  
GRAPADORA INDUSTRIAL DE ALAMBRE FINO  
AGRAFEUSE INDUSTRIELLE À AGRAFES FINES**



**TOOL PARTS ILLUSTRATION  
ILUSTRACIÓN DE LAS PIEZAS DE LA HERRAMIENTA  
ILLUSTRATION DES PIÈCES D'OUTILLAGE**

**⚠ WARNING:**

**⚠ ADVERTENCIA:**

**⚠ ATTENTION:**

**BEFORE PERFORMING REPAIRS ON THIS TOOL, ALL OPERATORS SHOULD STUDY THIS ILLUSTRATION, AS WELL AS THE PARTS LIST AND OPERATION AND MAINTENANCE MANUAL. OPERATORS SHOULD UNDERSTAND AND FOLLOW ALL SAFETY WARNINGS AND INSTRUCTIONS. KEEP THIS ILLUSTRATION WITH THE TOOL FOR FUTURE REFERENCE. IF YOU HAVE ANY QUESTIONS, CONTACT YOUR STANLEY-BOSTITCH REPRESENTATIVE OR DISTRIBUTOR.**

**ANTES DE LLEVAR A CABO CUALQUIER REPARACIÓN EN LA HERRAMIENTA, TODOS LOS OPERARIOS DEBERÁN ESTUDIAR ESTA ILUSTRACIÓN, ASÍ COMO LA LISTA DE PIEZAS Y EL MANUAL DE OPERACIÓN Y MANTENIMIENTO. LOS OPERARIOS DEBERÁN ENTENDER Y SEGUIR TODAS LAS ADVERTENCIAS E INSTRUCCIONES DE SEGURIDAD. CONSERVE ESTA ILUSTRACIÓN CON LA HERRAMIENTA PARA PODER CONSULTARLA EN LO FUTURO. SI TUVIERA ALGUNA PREGUNTA, PONGASE EN CONTACTO CON SU REPRESENTANTE O DISTRIBUIDOR DE STANLEY-BOSTITCH.**

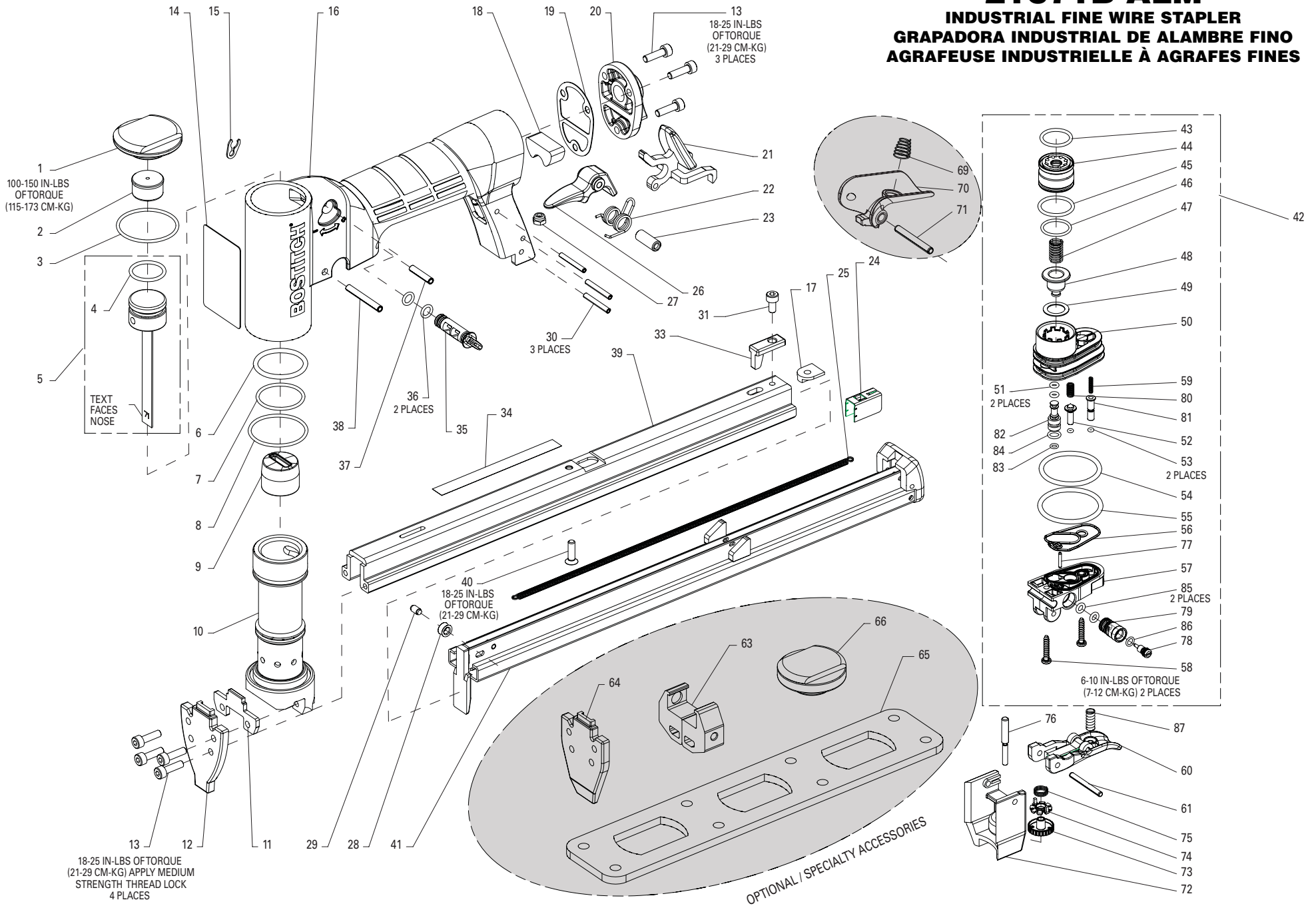
**AVANT DE PROCÉDER À LA RÉPARATION DE CET OUTIL, LES OPÉRATEURS DOIVENT ÉTUDIER LA PRÉSENTE ILLUSTRATION AINSI QUE LA LISTE DE PIÈCES ET LE MANUEL D'INSTRUCTIONS ET D'ENTRETIEN ; ILS DOIVENT ÉGALEMENT COMPRENDRE ET OBSERVER LES CONSIGNES DE SÉCURITÉ ET LES INSTRUCTIONS. CONSERVER CETTE ILLUSTRATION AVEC L'OUTIL POUR RÉFÉRENCE FUTURE. SI VOUS AVEZ DES QUESTIONS, COMMUNIQUEZ AVEC VOTRE REPRÉSENTANT OU VOTRE DISTRIBUTEUR DE STANLEY-BOSTITCH.**

IP1245-1REVA 02/07

**BOSTITCH®**  
Stanley Fastening Systems L.P.

# 21671B-ALM

**INDUSTRIAL FINE WIRE STAPLER**  
**GRAPADORA INDUSTRIAL DE ALAMBRE FINO**  
**AGRAFEUSE INDUSTRIELLE À AGRAFES FINES**



IP1245-1REVA 02/07

TO BE USED WITH PARTS LIST IP1245-2 AND OPERATION AND MAINTENANCE MANUAL 174325.

Item#	Illus. #	Description	Price (USD)
174288	<u>1</u>	CAP	\$10.83
174289	<u>2</u>	BUMPER,PISTON STOP	\$0.36
100353	<u>3</u>	O-RING,1.301X.070	\$0.42
174308	<u>4</u>	O-RING,.701X.094	\$0.18
174286	<u>5</u>	ASSEMBLY,DRIVER/PISTON	\$5.37
174309	<u>6</u>	O-RING,1.049X.103	\$0.12
174310	<u>7</u>	O-RING,.989X.070	\$0.15
851349	<u>8</u>	O-RING,1.239X.070	\$0.57
174100	<u>9</u>	BUMPER	\$4.65
174098	<u>10</u>	SLEEVE,CYLINDER	\$50.19
174099	<u>11</u>	PLATE,DRIVER GUIDE	\$1.23
174097	<u>12</u>	NOSE	\$9.87
174306	<u>13</u>	SCREW,SHCS,M4X0.7X14	\$0.15
159831	<u>14</u>	LABEL,WARNING	\$0.18
174290	<u>15</u>	RETAINER,CLIP	\$0.18
174265	<u>16</u>	FRAME	\$44.55
177722	<u>17</u>	NUT,MAGAZINE	\$2.10
174266	<u>18</u>	MUFFLER	\$3.39
174295	<u>19</u>	GASKET,END CAP	\$0.75
174296	<u>20</u>	CAP,END	\$2.01
174357	<u>21</u>	LATACH	\$5.34
174301	<u>22</u>	SPRING,TORSION	\$0.18
174302	<u>23</u>	BUSHING,SPRING	\$0.18
174292	<u>24</u>	PUSHER	\$0.54
174356	<u>25</u>	SPRING,EXTENSION	\$0.72
174297	<u>26</u>	LATCH,INSIDE	\$1.17
MHE4070-100	<u>27</u>	ELASTIC STOP NUT,M4	\$0.03
174293	<u>28</u>	ROLLER	\$0.21
174294	<u>29</u>	PIN,ROLLER	\$0.18
174303	<u>30</u>	PIN,COILED,M3X22	\$0.09
MSC4070-8	<u>31</u>	SCREW,SHCS,M4X0.70X8	\$0.52
174355	<u>33</u>	STOP,MAGAZINE	\$2.76
174316	<u>34</u>	LABEL,21671B	\$0.12
174287	<u>35</u>	VALVE,ENERGY CONTROL	\$0.99
174311	<u>36</u>	O-RING,.217X.059	\$0.03
174304	<u>37</u>	PIN,COILED,M4X18	\$0.18
174305	<u>38</u>	PIN,COILED,M4X30	\$0.18
174354	<u>39</u>	MAGAZINE	\$20.73
174307	<u>40</u>	SCREW,SFHCS,M4X0.7X14	\$0.03
177684	<u>41</u>	ASSEMBLY,SLIDING MAGAZINE	\$38.43
TVA13AF	<u>42</u>	ASSEMBLY,TRIGGER VALVE,AUTO	\$12.21
86459	<u>43</u>	O-RING,.614X.070	\$1.30
174278	<u>44</u>	HEAD VALVE	\$2.85
174312	<u>45</u>	O-RING,.700X.072	\$0.09
102163	<u>46</u>	O-RING,.591X.059	\$1.30
174280	<u>47</u>	SPRING,COMPRESSION	\$0.12
174279	<u>48</u>	SEAL,EXHAUST	\$0.27
174281	<u>49</u>	WASHER,SPECIAL	\$0.12
174331	<u>50</u>	HOUSING,HEAD VALVE-AF	\$1.53
174332	<u>51</u>	O-RING,.098X.059	\$0.09
174283	<u>52</u>	STEM	\$0.48

174313	<u>53</u>	O-RING,.042X.050	\$0.03
108467	<u>54</u>	O-RING,1.237X.103	\$0.42
100817	<u>55</u>	O-RING,1.299X.103	\$0.47
174284	<u>56</u>	SEAL,VALVE	\$1.08
174341	<u>57</u>	HOUSING,TRIGGER,AF	\$1.35
174285	<u>58</u>	SCREW,M3X16	\$0.09
174333	<u>59</u>	SPRING,COMPRESSION	\$0.03
174343	<u>60</u>	ASSEMBLY,TRIGGER,AF	\$0.99
174345	<u>61</u>	PIN,SPRING,M3X28	\$0.03
174344	<u>72</u>	HOUSING,ADJUSTMENT	\$0.72
174346	<u>73</u>	WHEEL,ADJUSTMENT	\$1.08
174347	<u>74</u>	RING,DETENT	\$0.45
174348	<u>75</u>	SPRING,COMPRESSION	\$0.03
174349	<u>76</u>	ROD,ADJUSTMENT	\$1.08
102196	<u>77</u>	PIN,SPRING,1.5X10MM	\$0.08
174314	<u>78</u>	VALVE,NEEDLE	\$0.90
174315	<u>79</u>	HOUSING,NEEDLE VALVE	\$1.17
174334	<u>80</u>	SPRING,COMPRESSION	\$0.03
174335	<u>81</u>	STEM	\$0.36
174336	<u>82</u>	SHUTTLE	\$0.75
174337	<u>83</u>	O-RING,.118X.039	\$0.06
174338	<u>84</u>	O-RING,.209X.051	\$0.18
174339	<u>85</u>	O-RING,.138X.059	\$0.09
174340	<u>86</u>	O-RING,.157X.039	\$0.06
174350	<u>87</u>	SPRING,COMPRESSION	\$0.03