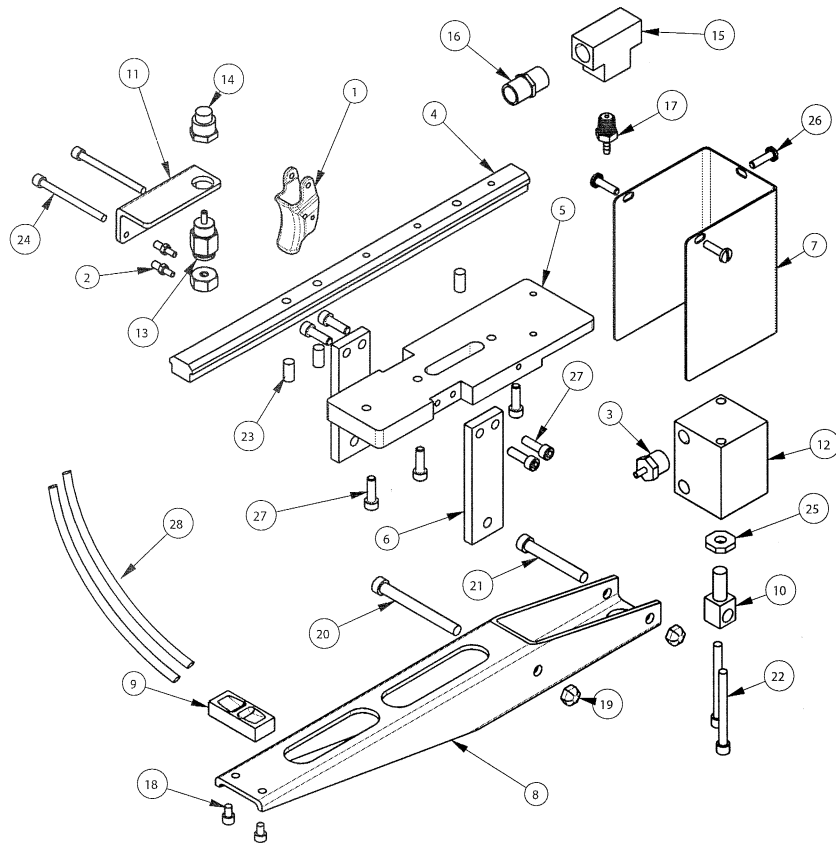
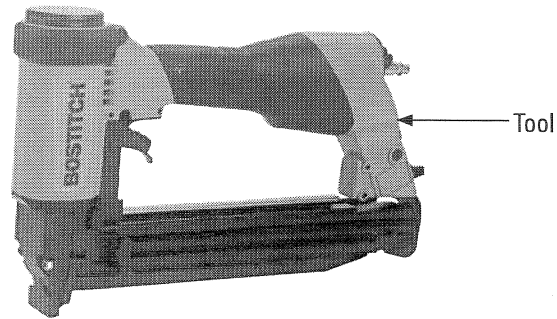


# ESD-450S2P



PARTS LIST FOR ESD-450S2P		
ITEM	PART #	DESCRIPTION
TOOL	450S2	2" 16G STAPLER SEE IP1111
1	159882	ASSEMBLY: SEQ TRIGGER
2	9R189206	1/8" BARBED FITTING: 10-32
3	9R201637	1/4" NPT TO 1/8" BARBED FITTING
4	9R202886	ESD 450S2P MAGAZINE RAIL
5	9R202887	ESD 450S2P BASE PLATE
6	9R202888	ESD 450S2P SIDE PLATE
7	9R202889	ESD 450S2P SHROUD, CYL COVER
8	9R202890	ESD 450S2P 1.5" FRAME BASE
9	9R202891	ESD 450S2P STAPLE GUIDE
10	9R202892	ESD 450S2P CYLINDER ROD EYE
11	9R202893	ESD 450S2P TV BRACKET
12	9R202894	NASON CYLINDER ASSEMBLY
13	9R202895	CLIPPARD VALVE, MAV-3R
14	9R202896	CLIPPARD PUSH BUTTON
15	9R202899	TEE-VALVE 3-WAY X 1/4" NPT FEMALE
16	9R202900	HEX NIPPLE 1/4" NPT TO 1/4" NPT MALE
17	9R202901	1/8" NPT TO 1/8" BARBED FITTING
18	9R202903	8-32 X 1/4" SHCS
19	9R202904	10-24 LOCKNUT, ZINC
20	9R202905	SHOULDER BOLT .25"DIA X 2.0"
21	9R202906	SHOULDER BOLT .25"DIA X 1.5"
22	9R202908	10-24 X 2" SHCS
23	9R202909	1/4-20 SET SCREW
24	9R202910	8-32 X 2" SHCS
25	HN51618.2	NUT 5/16-18: 3/16 HEIGHT
26	UA2804.3	8-32 X 3/8" MACHINE SCREW
27	UA3810.4	10-24 X 5/8" SHCS
28	9R202897	1/8" PLASTIC HOSE, 22" LENGTH