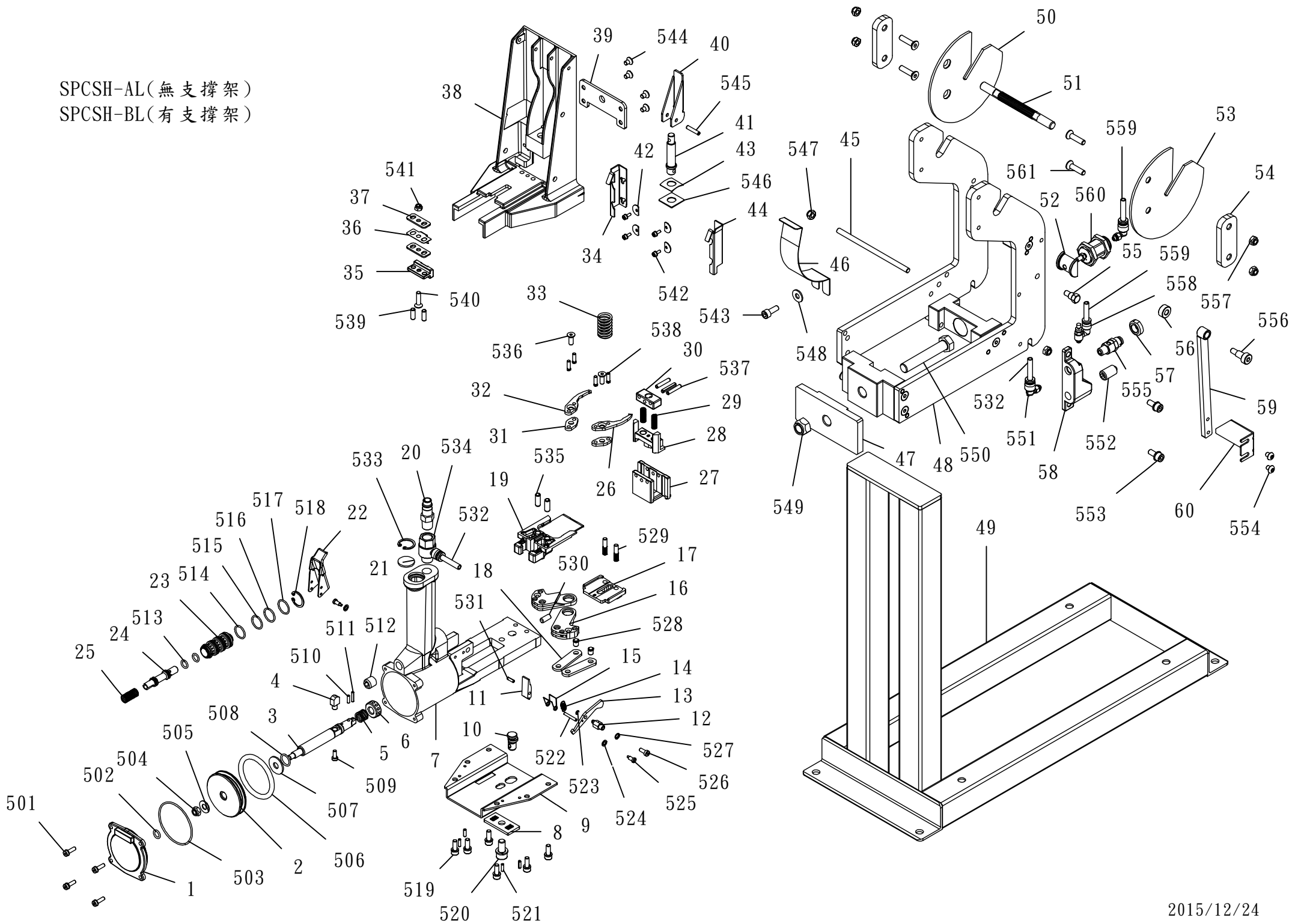


SPCSH-AL(無支撐架)
 SPCSH-BL(有支撐架)



MODEL: SPCSH-AL, SPCSH-BL

ITEM	PART NO.	DESCRIPTION	Q'TY	SPEC.
001	A01200110	CAP	1	
002	A02800201	PISTON	1	
003	A02800301	PISTON ROD	1	
004	A00100401	BLOCK	1	
005	A00100501	SPRING	1	
006	A00100601	COLLAR	1	
007	ADCS-P31	BODY UNIT	1	
008	A00101901	ADJUSTING PLATE	1	
009	A01102501	FRONT PLATE	1	19
010	A00101801	ADJUSTING ROD	1	
011	A00100902	BLOCK	1	
012	A00101301	ROD	1	
013	A00101402	TRIGGER'S CONTROL	1	
014	A00101201	SPRING	1	
015	A00101001	SPRING	1	
016	A00102301	TEETH SEAT	2	
017	A02300102	DRIVER GUIDE	1	I-RR(1.9mm), T series
017	A03600102	DRIVER GUIDE	1	I-GR(2.3mm) series
017	A02200202	DRIVER GUIDE	1	S series
018	A00102401	PLATE	2	
019	A02202802	DRIVER	1	S-19 series(53.3mm)
019	A02301002	DRIVER	1	I-RR , T series
019	A03700902	DRIVER	1	I-GR series
020	A00100801	AIR PLUG	1	JAPANESE TYPE
020	A00100802	AIR PLUG	1	U.S.A. TYPE
020	A00100803	AIR PLUG	1	EURO TYPE
021	BAI1401	SILENCER	1	
022	A00101101	TRIGGER	1	
023	A00101702	TUBE	1	
024	A00101601	VALVE	1	
025	A00101501	SPRING	1	
026	A00102102	RIGHT TEETH	1	I, T series
026	A01900503	TEETH	1	S-19 series
027	A02300404	ANVIL	1	I, T series
027	A02200603	ANVIL	1	S series
028	A02300502	PUSHER	1	I-RR, T series
028	A02200702	PUSHER	1	S series
028	A03600202	PUSHER	1	I-GR series
029	A02201101	SPRING	2	
030	A02200501	ANVIL CAP	1	
031	A02300801	PLATE	2	
032	A00102202	LEFT TEETH	1	I, T series
032	A01900503	TEETH	1	

033	A02201201	SPRING	1	
034	A02300605	RIGHT COIL GUIDE	1	I-19 series
034	A02400602	RIGHT COIL GUIDE	1	T series
034	A07600601	RIGHT COIL GUIDE	1	S series
035	A02202901	TOP GUIDE	1	
036	A02201803	LEAF SPRING	1	
037	A02202402	PLATE	2	
038	A02200113	MAGAZINE SEAT	1	
038	A03600508	MAGAZINE SEAT	1	I-GR series
039	A02200901	PLATE	1	
040	A02201001	LEVER	1	
041	A02200801	SHAFT	1	
042	A07601001	WASHER	4	S series
043	A02201905	WASHER	1	T =1.5mm, IGR series
043	A02201908	WASHER	1	T =1.05mm,T, IRR series
043	A02201909	WASHER	1	T =1.0mm, S series
044	A02300705	LEFT COIL GUIDE	1	I-19 series
044	A02400702	LEFT COIL GUIDE	1	T series
044	A07600701	LEFT COIL GUIDE	1	S series
045	A12801601	ROD	1	
046	A12800701	SPRING PLATE	1	
047	A12801501	BRACKET A	1	
048	SP-CS-CB-P1	BODY SET	1	
049	SP-CS-B	BASE UNIT	1	SPCSH-BL
050	A12800501	PLATE-RIGHT	1	
051	A12800401	SHAFT	1	
052	A17101001A	HALF ROD UNIT	1	
053	A12800601	PLATE-LEFT	1	
054	A12802601	PLATE	2	S15 series
054	A12800301	PLATE	2	S18 series
054	A12802501	PLATE	2	I15 series
054	A12802101	PLATE	2	I18 series
054	A12802301	PLATE	2	T15 series
054	A12802401	PLATE	2	T18 series
055	A12801401	BLOT	1	
056	A17100801	ROD PAD	1	
057	A17100901	SPRING PLUNGERS NUT	1	
058	A17100701	SWITCH BLOCK	1	
059	A17100601A	PUTTER SET	1	
060	A17100301	PUSH BOARD	1	
061	A17100201	RIGHT BRACKET	1	
062	A17100101	LEFT BRACKET	1	
063	A12801301	REAR BLOCK	1	
064	A17100401	MIDDLE BLOCK	1	
065	A12801701	BRACKET B	1	

501	BAC0604142	HEX.SOC.HD.BOLT	4	M4 x 0.7-14
502	BAB017076	O-RING	1	φ1.78 x φ7.65
503	BAB017537	O-RING	1	φ1.78 x φ53.7
504	BAD02061	HEX.NUT	1	M6 x 1
505	BAE06094	WASHER	1	1/4" x 5/8" x 1T
506	BAB057476	O-RING	1	φ5.7 x φ47.6
507	A00104101	WASHER	1	φ8 x φ23 x 1.6T
508	BAB017124	O-RING	1	φ1.78 x φ12.42
509	BAC0604102	HEX.SOC.HD.BOLT	1	M4 x 0.7-10
510	A00104901	PLASTIC PIN	1	
511	BAA025014	SPRING PIN	1	φ2.5-14
512	BAC0312122	BOLT	1	M12 x 1.75-12
513	BAB017076	O-RING	2	φ1.78 x φ7.65
514	BAB016145	O-RING	1	φ1.6 x φ14.5
515	BAB016150	O-RING	1	φ1.6 x φ15
516	BAB016155	O-RING	1	φ1.6 x φ15.5
517	BAB016160	O-RING	1	φ1.6 x φ16
518	BAF22002	C-RING	1	φ20
519	BAC0605142	HEX.SOC.HD.BOLT	6	M5 x 0.8-14
520	BAC0608162	HEX.SOC.HD.BOLT	1	M8 x 1.25-16
521	BAA030010	SPRING PIN	4	φ3-10
522	BAA030020	SPRING PIN	1	φ3-20
523	BAF10252	E-RING	1	φ2.5
524	BAE01042	SPRING WASHER	2	M4
525	A00104401	TRIGGER SCREW	2	M4 x 0.7-7
526	BAC0404102	HEX.SOC.HD.BOLT	1	M4 x 0.7-10
527	BAE02042	OUTSIDE TEETH WASHER	1	M4
528	A00104602	PIN	2	φ6.05-8
529	A00104702	ROD	2	φ4.9-23
530	BAC0306142	HEX.SOC.HDLESS.BOLT	1	M6 x 1-14
531	BAA030010	SPRING PIN	1	φ3-10
532	BAI0822-01	TUBE	1	φ4*φ6*21.5cm
533	BAF22002	C-RING	1	φ20
534	BAI1306	TUBE CONNECTOR	1	1/4PT / φ6
535	BAA060016-R	SPRING PIN	2	φ6-16
536	A00106201	HEX.SOC.FLAT COUNTER SNK HD.SCREW	2	M5 x 0.8-12
536	A00106301	HEX.SOC.FLAT COUNTER SNK HD.SCREW	2	M5 x 0.8-14 S series
537	BAA040022	SPRING PIN	3	φ4-22
538	A00104501	PIN	4	φ3.98-13
539	BAA050014	SPRING PIN	2	φ5-14
540	BAC0205202	HEX.SOC.FLAT COUNTER SNK HD.SCREW	1	M5 x 0.8-20
541	BAD01051	LOCK NUT	1	M5 x 0.8

542	BAC0703063	ROUND HD.SCREW	4	M3 x 0.5-6
542	BAC0603082	HEX.SOC.HD.BOLT	4	M3 x 0.5-8 S series
543	BAC0606162	HEX.SOC.HD.BOLT	1	M6 x 1-16
544	BAC0205082	HEX.SOC.FLAT COUNTER SNK HD.SCREW	4	M5 x 0.8-8
545	BAA040020	SPRING PIN	1	φ4-20
546	A02203102	WAVE WASHER	1	φ10,5
547	BAD01061	LOCK NUT	2	M6 x 1
548	BAE04061	WASHER	1	6* 16*1.5
549	BAD02121	HEX.NUT	1	M12 x 1.75
550	BAC0812701	HEX.HD.BLOT	1	M12 x 1.75-70
551	BAI1211	TUBE CONNECTOR	2	M5 / φ6
552	BAC2612232	SPRING PLUNGERS	1	M12*22.8mm
553	BAC0606142	HEX.SOC.HD.BOLT	2	M6 x1-14
554	BAC0905062	HEX.SOC.BUTTON HD.CAP SCREW	2	M5 x1-6
555	BAI2505	HAND VALVE	1	MVHA-3P
556	BAC2608122	STRIPPER BOLTS	1	φ8*M6*12mm
557	BAD01061	STRIPPER BOLTS	4	M6 x 1
558	BAI0406	SPEED CONTROLLER	1	M5 / φ6
559	BAI0821-01	TUBE	1	φ4*φ6*17.5cm
560	BAI0123	PEN CYLINDERS	1	φ15*15mm
561	BAC0206252	HEX.SOC.FLAT COUNTER SNK HD.SCREW	4	M6 x1-25 S18 series
561	BAC0206302	HEX.SOC.FLAT COUNTER SNK HD.SCREW	4	M6 x1-30 S15, I18, T18 series
561	BAC0206352	HEX.SOC.FLAT COUNTER SNK HD.SCREW	4	M6 x1-35 I15, T15 series
562	BAA060016	SPRING PIN	12	φ6-16
563	BAC0206162	HEX.SOC.FLAT COUNTER SNK HD.SCREW	8	M6 x 1.0-16